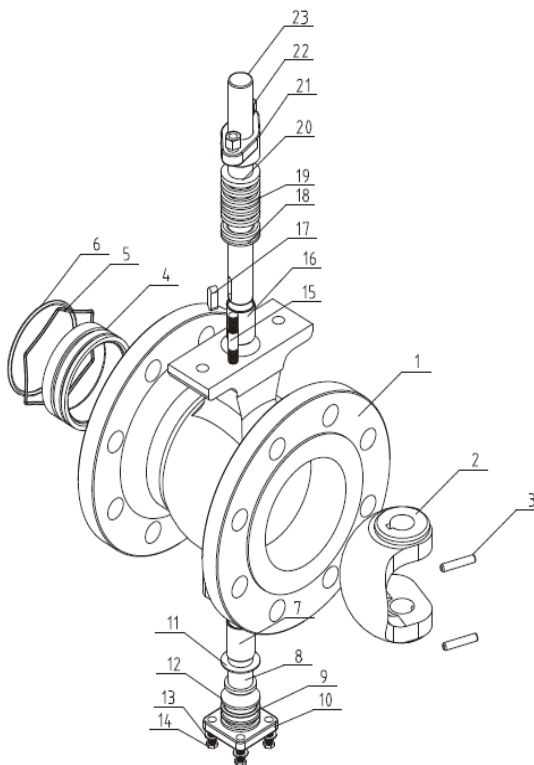


VQF Series V-port Segment Ball Valve (Flange)
ISO9001 & CE Accredited
Overview

The Hiton VQF series v-port segment ball valve is primarily designed for flow control, and it can also be used for shut-off operation. The notched port on the segment ball contributes to strong shear stress to cut through media with fibers and particles. Consequently, this v-port segment valve is a good general control valve for most pulp and paper process applications, or similar flow contains fibers and particles.

Application

Pulp and Paper/Waste Water Treatment/ Food and Beverage/Chemical Plants/ Power Plants/ Steel Industry/Etc.


1. Design Features

STANDARD PART LIST

Parts	WCB	CF8	CF8M
1. Body	WCB	CF8	CF8M
2. V-port Segment	CF8+HCr	CF8+HCr	CF8M+HCr
3. Pin	304	304	316
4. Seat	304+STL	304+STL	316+STL
5. Spring		316L	
6. O-ring		VITON	
7. Bearing	304+PTFE	304+PTFE	316+PTFE
8. Lower Stem	304	304	316
9. O-ring		Viton	
10. Packing Gland	WCB	CF8	CF8M
11/12. Gasket		PTFE	
13. Washer	Q235	304	316
14/15 Bolt	25	304	304
16. Bearing	304+PTFE	304+PTFE	316+PTFE
17. Key	304	304	316
18/19/20. Packing		PTFE or Graphite	
21. Packing Gland	WCB	CF8	CF8M
22. Nut	Q235	304	304
23. Upper Stem	304	304	316

As a solution provider, we do more than valves.

Body

- Single-piece body prevents leaks caused by separate flanges or locking rings.

V-port Segment Ball:

- Specially designed V-notch ball provides strong cutting stress and tight sealing. Well ground notched ball surface ensures small operating torque and tight seal, especially for metal seated segment valve.

Seat

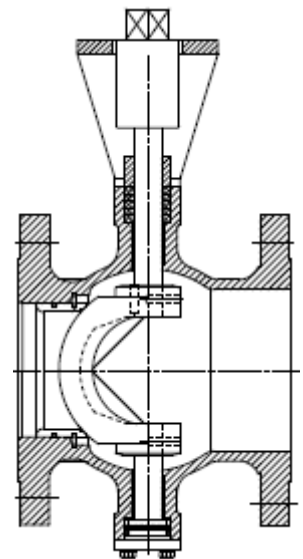
- Special seat design eliminates cavity between seat and valve body. This, consequently, prevents media from jamming between seat and body, ensure reliable sealing.

Seal Surface

- Nitriding/Tungsten Carbide/Satellite Alloy/Nickle Base Alloy plating are available for abrasive media.

Stem

- Stem is finely grounded to match actuator excellently, which prevents rocking motion and potential failure of the v-port segmented valve.
- Close-fit spline or pin-key are available for stem-segment ball connection to provide reliable transmission without motion lost or dead band.



Flow Direction →

2. Technical Specification

Size Range

1" ~20" (DN25~DN500)

Pressure Rate

DIN PN10, 16, 25, 40,63; ANSI
150,300,600

Body Material

WCB, CF8, CF8M, CF3M, etc.

Ball/Seat:

Metal Seat

CF8+HCr/304+STL, CF8M+HCr/316+STL,
CF3+HCr/304L+STL, etc.

Nitriding/Tungsten Carbide/Satellite
Alloy/Nickle Base Alloy plating are
available for abrasive media.

Soft Seat

Devlon/PEEK/PCTFE are available

End Connection

Flange Type

Face to Face

ISA S75.04, IEC/DIN 534-3-2

Temp. Range:

-29°C ~ 240°C with Soft Seat

-29°C ~ 350°C with Metal Seat

Seal Tightness:

Metal Seat

Class V (standard), Class VI (with
Tungsten Carbide coated trim)

Soft Seat

Class VI

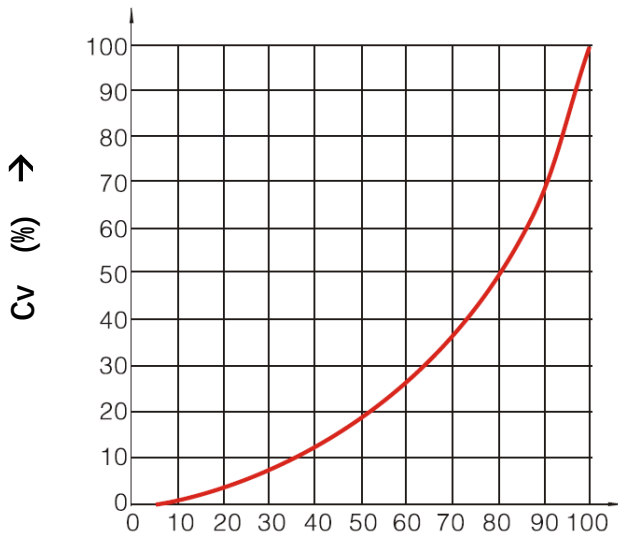
Valve Trim Rotation

Clockwise to close

Flow Characteristic

Equal Percentage

3. Flow Characteristic



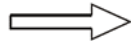
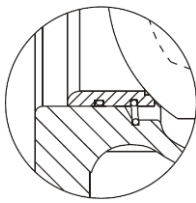
Size	CV
DN25	36
DN32	56
DN40	94
DN50	152
DN65	262
DN80	358
DN100	540
DN125	906
DN150	1424
DN200	2176
DN250	3532

Size	CV
DN300	5732
DN350	8245
DN400	10651
DN450	12878
DN500	16343

*The rated Cv value is for reference only.

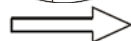
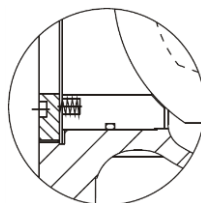
4. Seat Options

Metal Seat A



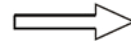
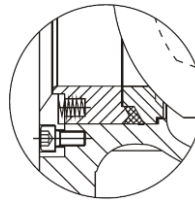
Flow Direction

Metal Seat B



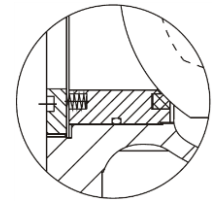
Flow Direction

High Temp Metal Seat C.



Flow Direction

Soft Seat D



Flow Direction

Metal Seat A/ Metal Seat B

Seat	304/316+STL	
Spring	17-7PH/316L	
O-ring	Viton	High Temp. Viton
Packing	PTFE	Graphite
Temp. Range	-29~150°C	-29~220°C

High Temp Metal Seat C

Seat	304/316+STL
Spring	17-7PH/316L
O-ring	Graphite
Packing	Graphite
Temp. Range	-29~350°C

Soft Seat D

Seat	DEVLON	PCTFE	PEEK	
Spring	17-7PH/316L			
O-ring	Viton			
Packing	PTFE		Graphite	
Temp. Range	-29~120°C	-29~120°C	-29~150°C	-29~240°C

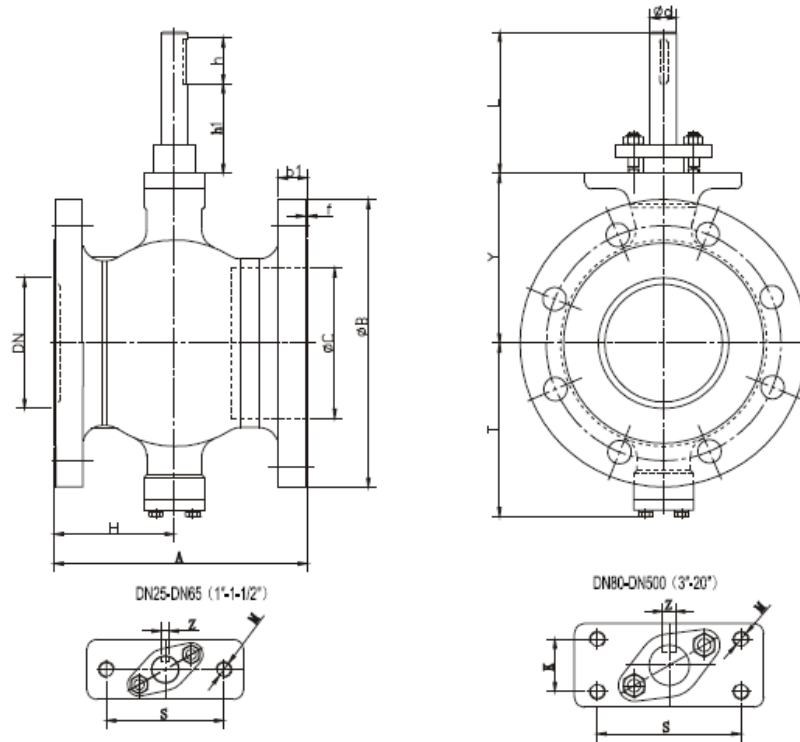
As a solution provider, we do more than valves.

5. Valve Torque (1.3 Safety Factor)

Size	PN16	PN16	PN25	PN40	PN63
	10 Bar Pressure Metal Seat	10 Bar Pressure Soft Seat	20 Bar Pressure Metal/Soft Seat	30 Bar Pressure Metal/Soft Seat	50 Bar Pressure Metal/Soft Seat
DN25	20	20	30	70	150
DN32	25	25	36	90	230
DN40	30	30	40	140	270
DN50	35	35	42	150	520
DN65	50	50	62	300	640
DN80	60	80	95	300	640
DN100	80	120	140	420	900
DN125	110	180	220	600	1600
DN150	170	300	360	950	1600
DN200	240	500	590	1500	2700
DN250	430	900	1100	2300	4700
DN300	600	1400	1500	3500	7000
DN350	1200	2000	2500	6200	9300
DN400	1800	3200	4000	7200	13000
DN450	3000	4500	5600	11000	17300
DN500	4600	6500	8200	12500	22000

Size	150LB	150LB	150LB	300LB	600LB
	10 Bar Pressure Metal Seat	10 Bar Pressure Soft Seat	20 Bar Pressure Metal/Soft Seat	35 Bar Pressure Metal/Soft Sea	70 Bar Pressure Metal/Soft Sea
DN25	20	20	30	85	210
DN32	25	25	36	105	320
DN40	30	30	40	180	380
DN50	35	35	42	190	730
DN65	50	50	62	380	930
DN80	60	80	95	380	1000
DN100	80	120	140	530	1000
DN125	110	180	220	720	2200
DN150	170	300	360	1180	2500
DN200	240	500	590	1750	3800
DN250	430	900	1100	2800	6500
DN300	600	1400	1500	4000	10000
DN350	1200	2000	2500	7800	13100
DN400	1800	3200	4000	9000	18000
DN450	3000	4500	5600	13700	24000
DN500	4600	6500	8200	15500	31000

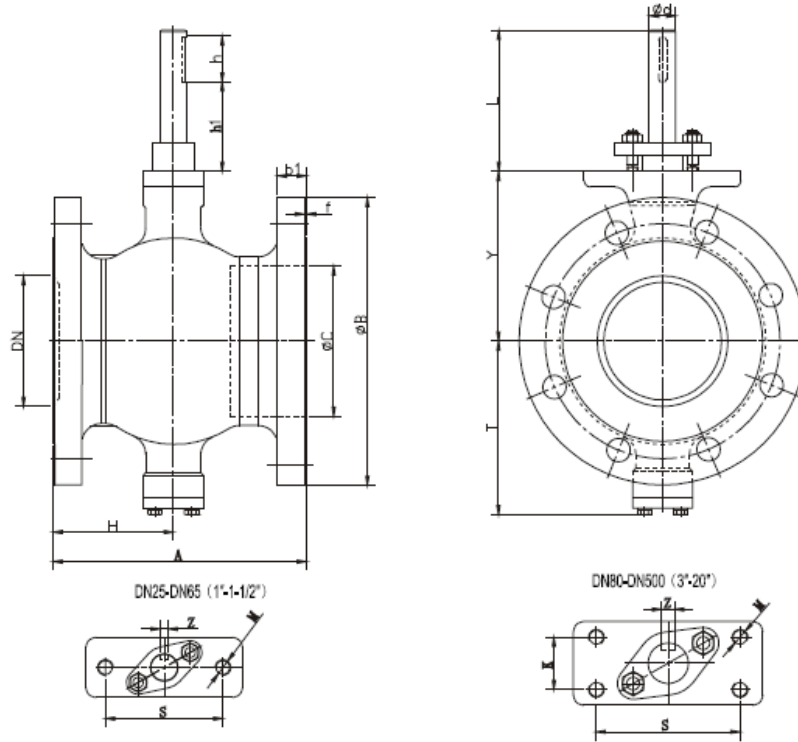
6. Dimension



PN16

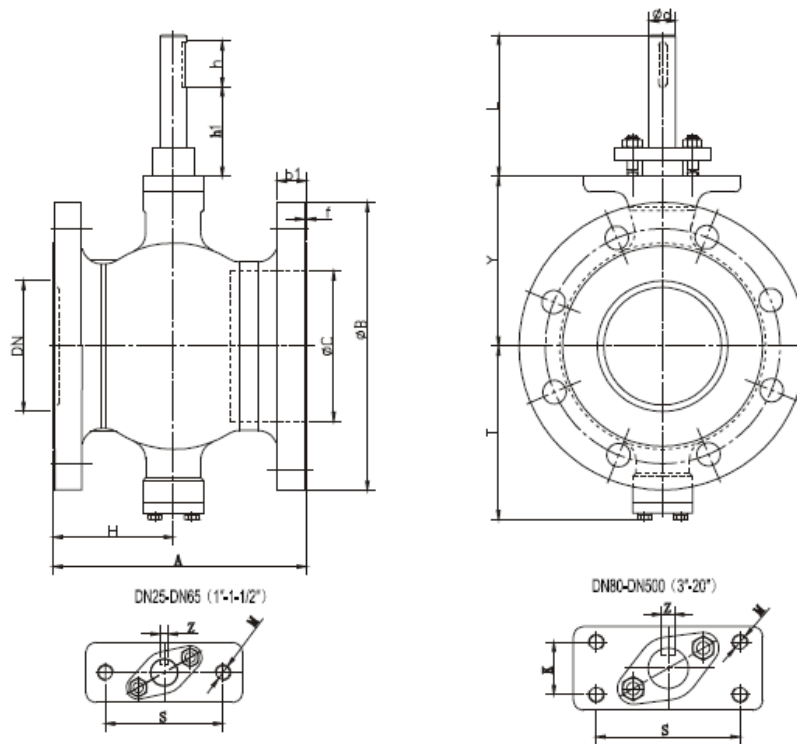
DN	A	B	b1	f	C	T	Y	L	d	H	S	K	M	Z	Weight (kg)
25	102	115	16	2	38	81	73	75	16	35	75	/	2-M10	5	4.9
32	102	140	18	2	45	86	78	75	16	35	75	/	2-M10	5	6.6
40	114	150	18	2	50	90	80	75	16	35	75	/	2-M10	5	7.6
50	124	165	20	2	62	93	90	75	16	35	75	/	2-M10	5	9.5
65	145	185	20	2	73	108	105	75	16	35	75	/	2-M10	5	12.4
80	165	200	20	2	90	123	118	75	20	35	90	28	4-M10	6	15.5
100	194	220	22	2	115	138	130	75	20	35	90	28	4-M10	6	20.6
125	194	250	22	2	134	148	145	80	25	40	90	28	4-M10	8	28.6
150	229	285	24	2	164	170	170	94	30	50	110	40	4-M12	8	42.5
200	243	340	24	2	206	200	201	94	30	50	110	40	4-M12	8	59.5
250	297	405	26	2	260	240	237	98	40	60	135	40	4-M16	12	99
300	338	460	28	2	316	286	282	98	40	60	135	40	4-M16	12	148
350	400	520	30	2	372	330	337	125	50	60	140	64	4-M16	14	216
400	400	580	32	2	420	367	372	172	60	80	170	80	4-M20	18	285
450	520	640	40	2	470	422	432	172	70	90	190	90	4-M24	20	370
500	600	715	44	2	516	490	498	180	80	100	190	90	4-M24	22	480

As a solution provider, we do more than valves.



PN25

DN	A	B	b1	f	C	T	Y	L	d	h	S	K	M	Z	Weight (kg)
25	102	115	16	2	40	88	86	75	20	35	90	28	4-M10	6	5.4
32	102	140	18	2	48	90	90	75	20	35	90	28	4-M10	6	7.3
40	114	150	18	2	56	95	93	80	25	40	90	28	4-M10	8	8.4
50	124	165	20	2	65	98	98	80	25	40	90	28	4-M10	8	10.5
65	145	185	22	2	81	130	125	95	30	50	110	40	4-M12	8	13.2
80	165	200	24	2	95	128	128	95	30	50	110	40	4-M12	8	17.7
100	194	235	24	2	115	142	142	95	30	50	110	40	4-M12	8	24.7
125	194	270	26	2	138	175	170	100	40	60	135	40	4-M16	12	34.5
150	229	300	28	2	170	215	215	125	50	60	140	64	4-M16	14	50.7
200	243	360	30	2	208	228	228	125	50	60	140	64	4-M16	14	72.7
250	297	425	32	2	265	260	260	150	60	80	170	80	4-M20	18	116
300	338	485	34	2	320	310	310	150	60	80	170	80	4-M20	18	169


ANSI 150

DN	A	B	b1	f	C	T	Y	L	d	h	S	K	M	Z	Weight (kg)
1"	102	108	14.5	2	38	81	73	75	16	35	75	/	2-M10	5	5.4
1 1/4"	102	115	14.5	2	45	86	78	75	16	35	75	/	2-M10	5	7.3
1 1/2"	114	127	14.5	2	50	90	80	75	16	35	75	/	2-M10	5	8.4
2"	124	152	16.3	2	62	93	90	75	16	35	75	/	2-M10	5	10.5
2 1/2"	145	180	18	2	73	108	105	75	16	35	75	/	2-M10	5	13.2
3"	165	191	19.5	2	90	123	118	75	20	35	90	28	4-M10	6	17.7
4"	194	230	24	2	115	138	130	75	20	35	90	28	4-M10	6	24.7
5"	194	255	24.3	2	134	148	145	80	25	40	90	28	4-M10	8	34.5
6"	229	280	26	2	164	170	170	94	30	50	110	40	4-M12	8	50.7
8"	243	340	29	2	206	200	201	94	30	50	110	40	4-M12	8	72.7
10"	297	405	30.6	2	260	240	237	98	40	60	135	40	4-M16	12	116
12"	338	485	32.2	2	316	286	282	98	40	60	135	40	4-M16	12	169
14"	400	535	35.4	2	372	330	337	125	50	60	140	64	4-M16	14	249
16"	400	595	37	2	420	367	372	172	60	80	170	80	4-M20	18	326
18"	520	635	40.1	2	470	422	432	172	70	90	190	90	4-M24	20	410
20"	600	700	44	2	516	490	498	180	80	100	190	90	4-M24	22	510

7. Actuator & Accessory Options

Manual Actuator

Handle Bar (DN25-DN100 Only)
Worm Gear

Automatic Actuator

Electric
Pneumatic (single & double-acting)

Accessories

Actuator Manual Override	Positioner
Limit Switches	Solenoid Valve
Air Filter	ISO 5211 Mounting Bracket

***Note: for more options, please contact us for availability.**